



# Pre-Fabricated Building Permit

## GETTING STARTED

### This is what the process will look like:

- 1. Debris Removal.** The Consolidated Fire Debris Removal Program has two phases: removal of household hazardous waste and removal of other fire-related debris. To find out more about debris removal, please visit <https://buttecountyrecovers.org/agencies/debris-removal/>.
  - **Tree Removal.** The Town of Paradise and Butte County require private property owners to remove hazardous trees on private property that are so fire damaged by the Camp Fire they pose a danger of falling onto a public right-of-way or other public improved facility.
- 2. Pre-Design Screening.** Take advantage of the Town's free Pre-Design Screening service (PDS). The PDS service provides information and resources to help you submit a complete submittal package and streamline the issuance of your permit. The PDS can help you verify your parcel data, setback and zoning requirements, assessor resources, septic / leach line location more.
  - **Septic System Verification. (Location of septic system leach lines, approved bedroom count of existing system)**
  - **Zoning Verification. (Make sure your zoning matches the use)**
  - **Special Permit Zone.**
- 3. Submit Your Application.** A community development technician will assist you as they verify that all required information is provided for the application intake. They will assist with all permits required during the rebuilding process.
  - *An incomplete packet will not be accepted and will require you to come back at a later time with the supplemental information.*
  - *If installing electricity, the applicant, or a designee, also needs to contact PG&E and request service at [www.pge.com](http://www.pge.com). An electronic copy of the site plan is also needed by PG&E to design new or restored service.*
  - *Have evidence of a **passed post fire septic evaluation or septic repair** permit prior to issuance.*
- 4. Plan Review.** The Town of Paradise's Development Services staff will review your plans for compliance with all Local, State, and Federal codes.
  - Some requirements, including residential fire sprinklers, may be listed as a deferred submittal and will be reviewed at a later time. However, we encourage complete submittals instead of deferred submittals as deferred submittals may slow down the permitting process.
  - Our red-line comments process allows our plans examiners to insert conventional or minor comments on the plans to expedite the review process. Some comments may require correction or clarification by the design professional before permits can be issued. Some items will be able to be resolved at the counter or specified on the plan as a deferred submittal.
- 5. Building Permit Issuance.** Building permits will be issued after all required conditions for your project are approved.
- 6. Scheduling Inspections.** Call 530-413-5114 or schedule online <https://citizen.townofparadise.com/CitizenAccess/>. We offer next-day inspection service.





## WHAT'S NEEDED FOR PRE-FABRICATED BUILDING

The required submittal documents listed below may vary based on the location of each project and the scope of work. Prior to submitting your project(s) for plan check, applicants are advised to come to the Development Services Permit Center and talk to a representative to determine what additional documentation, if any, may be required for your rebuild.

**We will rebuild Paradise better and more resilient than before  
... Below is what you'll need to submit for your building permits**

### PLAN SUBMITTAL REQUIREMENTS

- 1 copy** of completed Building Permit Application.
- 2 site plans** drawn to an engineer's scale; 1"=20' is preferred. Include location of septic tank and leach lines.
- 2 signed sets of factory provided engineered drawings/calculations drawn to the current California Building Codes**
- 1 survey completed by a land surveyor or civil engineer licensed in land surveying.**
- Completed Grading & Best Management Practice Form.

### **WHEN 1500 SQ FT OR MORE AND/OR WITHIN 20 FT OF A DWELLING UNIT:**

- Flow Test performed by Fire Station 81**
  - **2 sets** of residential fire sprinkler plans **if required water supply is not met** (May be deferred).

See PMC 15.09.170 Chapter 5, Section 507.1.2 for details.

NOTE: Approved prefabricated carports serving residential land uses open on two or more sides, do not exceed 480 sq ft in footprint, are installed per the manufacturer's instructions, and are located in compliance with applicable building or structure setbacks **do not** require a building permit.

### GENERAL REQUIREMENTS

- All drawings shall be drawn to a common scale. Plan views (floor and elevation) must be drawn to a minimum architectural scale of 1/4"=1'. Site plans drawn to an engineers scale; 1"=20' is preferred.
- All construction beyond the scope of "Conventional Light-Frame Construction" per the California Residential Code (CRC) shall be designed by an architect or engineer licensed by the State of California. Including but not limited to:
  - Retaining walls over 48" high;
  - Foundations with pilings or caissons;
  - Roofs on posts such as carports and patio awnings which are freestanding or which extend more than 6' beyond the building to which they are attached;
  - The wall bracing systems which are not described in the CRC.
- Buildings with more than two stories also require engineered drawings.
- Materials and Construction methods for exterior wildfire exposure, Wildland Urban Interface (WUI) apply.

### **I understand and have complied with all plan submittal requirement**

\_\_\_\_\_  
*Applicant Signature*





**Town of Paradise**  
 Community Development Department  
 Building Resiliency Center  
 6295 Skyway  
 Paradise, CA 95969  
 (530) 872-6291 x411

## Building Permit Application

**Application Date:** \_\_\_\_\_ **Assessor's Parcel Number:** \_\_\_\_\_ **BP Number:** \_\_\_\_\_  
**Project Address:** \_\_\_\_\_ **City:** \_\_\_\_\_ **Zip:** \_\_\_\_\_

**APPLICANT** **Name:** \_\_\_\_\_ **Phone:** \_\_\_\_\_ **Cell:** \_\_\_\_\_  
**Address:** \_\_\_\_\_ **City:** \_\_\_\_\_ **State:** \_\_\_\_\_ **Zip:** \_\_\_\_\_  
**Email:** \_\_\_\_\_ **Main Contact:**  Applicant  Owner/Tenant  Contractor  Arch/ Eng.

<b>OWNER</b>	<b>PROFESSIONAL</b>
<input type="checkbox"/> Representative (Owner's written approval required)	<input type="checkbox"/> Architect <input type="checkbox"/> Engineer <input type="checkbox"/> Designer
<b>Name:</b> _____	<b>Company Name:</b> _____
<b>Address:</b> _____	<b>Name:</b> _____ <b>CA Reg. #</b> _____
<b>City:</b> _____ <b>State:</b> _____	<b>Address:</b> _____
<b>Zip:</b> _____ <b>Phone:</b> _____	<b>City:</b> _____ <b>State:</b> _____
<b>Email:</b> _____	<b>Zip:</b> _____ <b>Phone:</b> _____

**CONTRACTOR** **Name:** \_\_\_\_\_ **Phone:** \_\_\_\_\_ **License#:** \_\_\_\_\_  
**Company Name:** \_\_\_\_\_ **Email:** \_\_\_\_\_  
**Address:** \_\_\_\_\_ **City:** \_\_\_\_\_ **State:** \_\_\_\_\_ **Zip:** \_\_\_\_\_

**PROJECT INFO** **Type:**  Residential  Commercial/ Industrial  Remodel/ Addition  Demolition  Other  Grading

**Permit For:**  Building  Electrical  Plumbing  Mechanical  Re-roof  PV/ Solar  Water Heater  
 Patio Cover/ Deck  Swimming Pool/Spa  Addendum  MH/ Commercial Coach  T.I.  Co-location  Other \_\_\_\_\_

**Description of Work:** \_\_\_\_\_  
 \_\_\_\_\_  
 \_\_\_\_\_

**Proposed Use:** \_\_\_\_\_ **Existing Use:** \_\_\_\_\_  
**Construction Valuation Cost:** \_\_\_\_\_ **Occupancy Group(s):** \_\_\_\_\_  
**Zoning District:** \_\_\_\_\_ **Type of Construction:** \_\_\_\_\_ **Square Footage:** \_\_\_\_\_

**PERMITTEE DECLARATION**

**I hereby declare under penalty of perjury that the foregoing statements and the attached plan(s) are true, accurate, complete, and correct to the best of my knowledge and belief.**

**Applicant Signature:** \_\_\_\_\_ **Date:** \_\_\_\_\_





## IMPORTANT NOTICE TO OWNER-BUILDERS

Dear Property Owner:

An application for a building permit has been submitted in your name listing yourself as the builder of the property improvements specified in the Town of Paradise, Butte County, California at:

Property Address: \_\_\_\_\_

Assessor Parcel No. (APN): \_\_\_\_\_ - \_\_\_\_\_ - \_\_\_\_\_ (Owner must be shown on Assessor records)

We are providing you with an Owner-Builder Acknowledge and Information Verification Form to make you aware of your responsibilities and possible risk you may incur by having this permit issued in your name as the Owner-Builder. **We will not issue a building permit until you have read, initialed your understanding of each provision, signed, and returned this form to us at our official address indicated.** An agent of the owner cannot execute this notice unless you, the property owner, obtain the prior approval of the permitting authority.

### **OWNER'S ACKNOWLEDGMENT AND VERIFICATION ON INFORMATION**

*DIRECTIONS: Read and initial each statement below to signify you understand or verify this information.*

\_\_\_\_\_ 1. I understand a frequent practice of unlicensed persons is to have the property owner obtain an "Owner-Builder" building permit that erroneously implies that the property owner is providing his/her own labor and material personally. I, as Owner-Builder, may be held liable and subject to serious financial risk for any injuries sustained by an unlicensed person and his/her employees while working on my property. My homeowner's insurance may not provide coverage for those injuries. I am willfully acting as an Owner-Builder and am aware of the limits of my insurance coverage for injuries to workers on my property.

\_\_\_\_\_ 2. I understand building permits are not required to be signed by property owners unless they are *responsible* for the construction and are not hiring a licensed Contractor to assume this responsibility.

\_\_\_\_\_ 3. I understand as an "Owner-Builder" I am the responsible party of record on the permit. I understand that I may protect myself from potential financial risk by hiring a licensed Contractor and having the permit filed in his/her name instead of my own.

\_\_\_\_\_ 4. I understand Contractors are required by law to be licensed and bonded in California and to list their license numbers on permits and contracts.

\_\_\_\_\_ 5. I understand if I employ or otherwise engage any persons, other than California licensed Contractors, and the total value of my construction is at least five hundred dollars (\$500), including labor and materials, I may be considered an "employer" under state and federal law.

\_\_\_\_\_6. I understand if I am considered an “employer” under state and federal law, I must register with the state and federal government, withhold payroll taxes, provide workers’ compensation disability insurance, and contribute to unemployment compensation for each “employee”. I also understand my failure to abide by these laws may subject me to serious financial risk.

\_\_\_\_\_7. I understand under California Contractors’ State License Law, an Owner-Builder who builds single-family residential structures cannot legally build them with the intent to offer them for sale, unless *all* work is performed by licensed subcontractors and the number of structures does not exceed four within any calendar year, or all of the work is performed under contract with a licensed general building Contractor.

\_\_\_\_\_8. I understand as an Owner-Builder if I sell the property for which this permit is issued, I may be held liable for any financial or personal injuries sustained by any subsequent owner(s) that result from any latent construction defects in the workmanship or materials.

\_\_\_\_\_9. I understand I may obtain more information regarding my obligations as an “employer” from the Internal Revenue Service, the United States Small Business Administration, the California Department of Benefit Payments, and the California Division of Industrial Accidents. I also understand I may contact the California Contractors’ State License Board (CSLB) at 1-800-321-2752 or [www.cslb.ca.gov](http://www.cslb.ca.gov) for more information about licensed contractors.

\_\_\_\_\_10. I am aware of and consent to an Owner-Builder building permit applied for in my name, and understand that I am the party legally and financially responsible for proposed construction activity at the following address: \_\_\_\_\_, Assessor Parcel No: \_\_\_\_\_

\_\_\_\_\_11. I agree that, as the party legally and financially responsible for this proposed construction, activity, I will abide by all applicable laws and requirements that govern Owner-Builder as well as employers.

\_\_\_\_\_12. I agree to notify the issuer of this form immediately of any additions, deletions, or changes to any of the information I have provided on this form. Licensed contractors are regulated by laws designed to protect the public. If you contract with someone who does not have a license, the Contractors’ State License Board may be unable to assist you with any financial loss you may sustain as a result of a complaint. Your only remedy against unlicensed Contractors may be in civil court. It is also important for you to understand that if an unlicensed Contractor or employee of that individual or firm is injured while working on your property, you may be held liable for damages. If you obtain a permit as Owner-Builder and wish to hire Contractors, you will be responsible for verifying whether or not those Contractors are properly licensed and the status of their workers’ compensation insurance coverage.

**Before a building permit can be issued, this form must be completed and signed by the property owner and return to the agency responsible for issuing the permit. Note: A copy of the property owner’s driver’s license, form notarization, or other verification acceptable to the agency is required to be presented when the permit is issued to verify the property owner’s signature.**

Signature of Property Owner: \_\_\_\_\_ Date: \_\_\_\_\_

*Note: The following Authorization Form is required to be completed by the property owner only when designating an agent of the property owner to apply for a construction permit for the Owner-Builder.*





## GRADING QUESTIONNAIRE & BEST MANAGEMENT PRACTICE

Background: Grading is regulated by Title 15 of the Town of Paradise Municipal Code (PMC). Grading is the removal or deposition of earth material by artificial means. Earth material is defined as any rock and/or natural soil. Grading is generally a combination of excavation (cuts) and placement (fill) of material. Grading does not include routine farming practices. See PMC §15.02.290.

Common examples of grading include construction of driveways, building pads, or site improvements, and restoration or stabilization of hillsides, slopes, or stream banks. A grading permit is required prior to commencing any grading or related work, including preparatory site clearing and soil disturbance, unless exempted from the permit requirement by PMC §15.02.290 J103.

This questionnaire helps determine if a project is exempt. Please answer all the questions below. If a response to any question is unknown, contact a design professional for assistance and/or consult with the Town of Paradise Development Services staff. Incorrect or false answers may cause delays in processing and/or the issuing of permits related to the project.

Acknowledgment: I, as the applicant, understand that an answer in a shaded box to any of the questions below means that a grading permit may be required for my project and that the grading permit must be issued before any grading can begin or related building permit(s) can be issued. If any answers are "Unknown" to me, I should contact my design professional immediately to determine if a grading permit is required for my project or circumstances. Furthermore, I understand that incorrect or false answers may cause delays in processing and/or issuing permit related to my project.

Printed Name

Signature

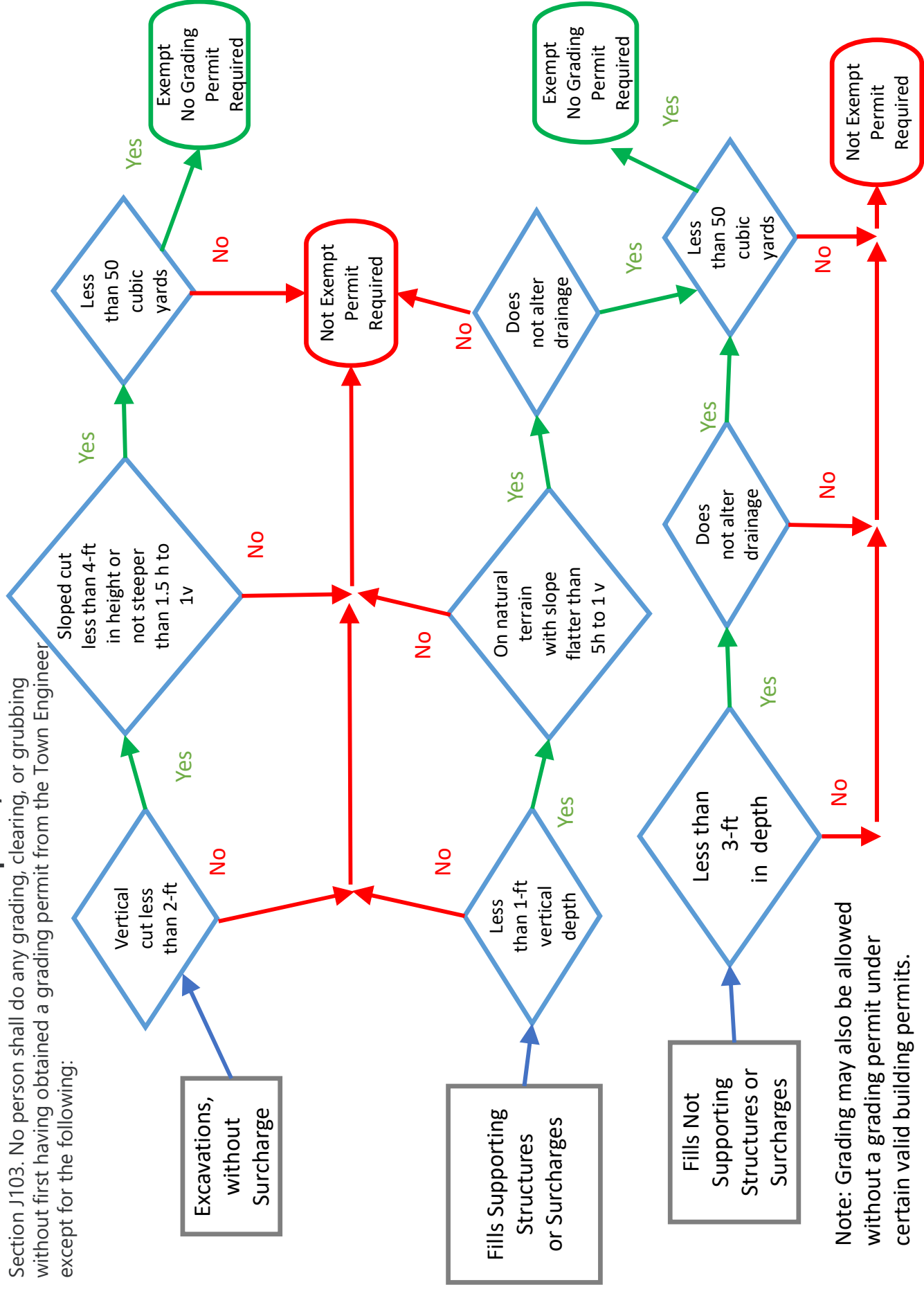
Date

**All Tops of cuts and toes of fills must be at least 2-ft from property line.**

		Yes	No	Unknown
For Excavations without surcharges, does the project include:				
	A vertical face which exceeds 2-ft in depth at its deepest point measured from the original ground surface?			
	A cut slope greater than 4-ft in height or steeper than one or one-half horizontal to one vertical?			
	A valid building permit that already covers all of the work.			
For Fills supporting a structure or surcharge, does the project include:				
	Fill that is more than 1-ft in depth or is placed on natural terrain of a slope of 5:1 or steeper?			
	The altering of drainage?			
For Fills not supporting a structure or surcharge, does the project include:				
	Fills greater than 3-ft in depth?			
	The altering of drainage?			
	A valid building permit that already covers all of the work.			
	Will more than fifty (50) cubic yards of material be moved?			

### 15.02.140 - Section J103 Permits required, amended.

Section J103. No person shall do any grading, clearing, or grubbing without first having obtained a grading permit from the Town Engineer except for the following:



Note: Grading may also be allowed without a grading permit under certain valid building permits.

The Town's Phase II MS4 NPDES General Permit issued by the State Water Board to the Town, requires the Town to develop and maintain a program to assure that sediment and other pollutants from construction activities do not flow into the Town's storm water drainage system and, subsequently, impact local receiving waters. The Town's Permit requires the Town to require the owner of any construction project having soil disturbance to submit an Erosion and Sediment Control Plan (ESCP). The ESCP must identify potential sources of erosion and sedimentation associated with the project and identify the control measures (best management practices or BMPs) used to prevent erosion and control sedimentation within the project. This document lists all the required (Town of Paradise Stormwater Pollution Prevention Program best management practices BMP's)

All construction projects that have soil disturbance and pass through plan check or the Town's permitting process must develop an ESCP. Projects having more than 1 acre of soil disturbance or those projects that are part of a larger common plan may be required to comply with the State Water Board's Construction General Permit (CGP), which requires the development of a Storm Water Pollution Prevention Plan (SWPPP). For these larger projects, the CGP-required SWPPP may be submitted in lieu of the ESCP. For all other projects (small projects) having less than 1 acre of soil disturbance or those that qualify for a waiver or exemption from the CGP, they must submit an ESCP using this worksheet.

\_\_\_\_\_  
Applicant Printed

\_\_\_\_\_  
Name Property Address(es)

\_\_\_\_\_  
Applicant Signature

\_\_\_\_\_  
Assessor's Parcel Number(s)

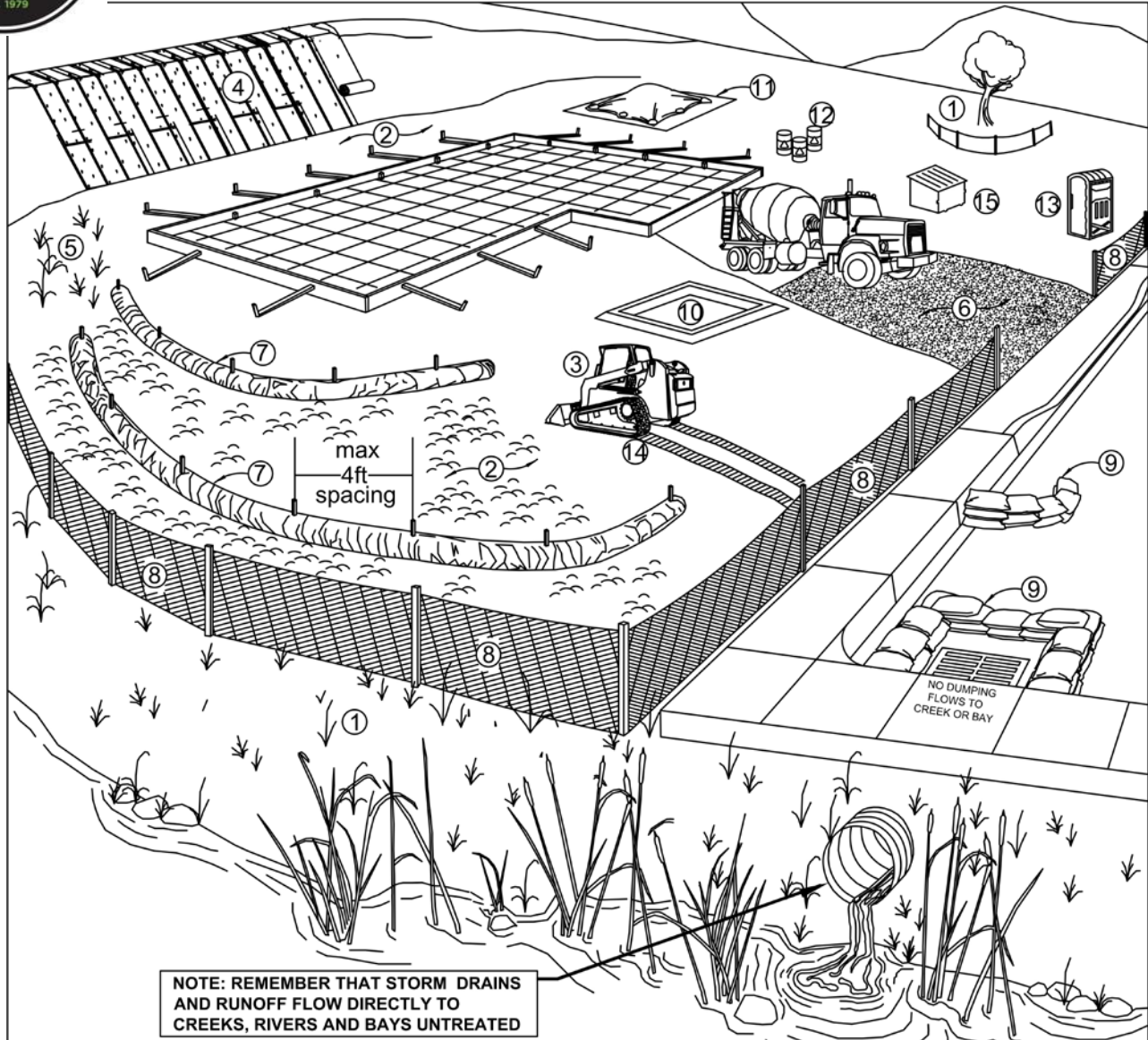
\_\_\_\_\_  
Date

\_\_\_\_\_  
Building Permit Number(s)



# Town of Paradise Stormwater Pollution Prevention Program

## Best Managements Practices For Small Construction Projects



<b><u>Erosion Controls</u></b>	<b><u>Sediment Controls</u></b>	<b><u>Good Housekeeping</u></b>
NS Scheduling	6. Tracking Controls	10. Concrete Washout
1. Preserve Vegetation & Creek SetBacks	7. Fiber Rolls	11. Stockpile Management
2. Soil Cover	8. Silt Fence	12. Hazardous Material Management
3. Soil Preparation/ Roughening	9. Drain Inlet Protection	13. Sanitary Waste Management
4. Erosion Control Blankets	NS Trench Dewatering	14. Equipment and Vehicle Maintenance
5. Revegetation		15. Litter and Waste Management

NS=not shown on graphic

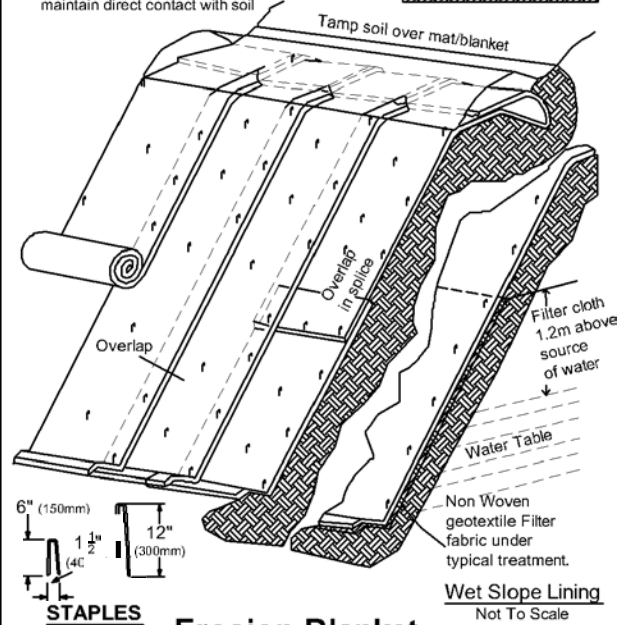
**Note:** Select an **effective combination of control measures from each category**, Erosion Control, Sediment Control, and Good Housekeeping. Control measures shall be **continually implemented and maintained throughout the project** until activities are complete, disturbed areas are stabilized with permanent erosion controls, and the local agency has signed off on permits that may have been required for the project. **Inspect and maintain the control measures** before and after rain events, and as required by the local agency or state permit.

More detailed information on the BMPs can be found in the related California Stormwater Quality Association (CASQA) and California Department of Transportation (Caltrans) BMP Factsheets. CASQA factsheets are available by subscription in the *California Best Management Practices Handbook Portal: Construction* at <http://www.casqa.org>. Caltrans factsheets are available in the *Construction Site BMP Manual March 2003* at <http://www.dot.ca.gov/hq/construc/stormwater/manuals.htm>.

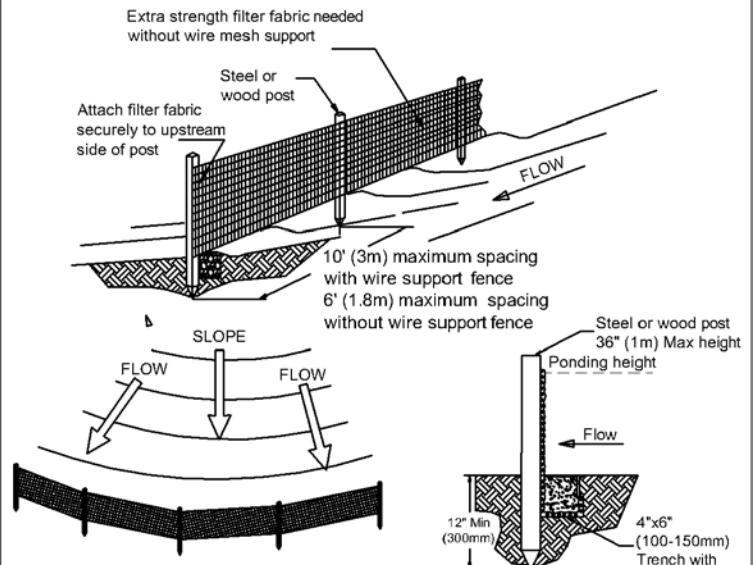
Control Measure		General Description
<b>Erosion Control Best Management Practices</b>		
N/A	Scheduling	Plan the project and develop a schedule showing each phase of construction. Schedule construction activities to reduce erosion potential, such as scheduling ground disturbing activities during the summer and phasing projects to minimize the amount of area disturbed. <i>For more info see the following factsheets: CASQA: EC-1; or Caltrans: SS-1.</i>
1	Preserve Existing Vegetation and Creek Setbacks	Preserve existing vegetation to the extent possible, especially along creek buffers. Show creek buffers on maps and identify areas to be preserved in the field with temporary fencing. Check with the local Planning and Public Works Departments for specific creek set back requirements. <i>For more info see the following factsheets: CASQA: EC-2; or Caltrans: SS-2.</i>
2	Soil Cover	Cover exposed soil with straw mulch and tackifier (or equivalent). <i>For more info see the following factsheets: CASQA: EC-3, EC-5, EC-6, EC-7, EC-8, EC-14, EC-16; or Caltrans: SS-2, SS-4, SS-5, SS-6, SS-7, SS-8.</i>
3	Soil Preparation/Roughening	Soil preparation is essential to vegetation establishment and BMP installation. It includes soil testing and amendments to promote vegetation growth as well as roughening surface soils by mechanical methods (decompacting, scarifying, stair stepping, etc.). <i>For more info see the following factsheets: CASQA: EC-15.</i>
4	Erosion Control Blankets	Install erosion control blankets (or equivalent) on disturbed sites with 3:1 slopes or steeper. Use wildlife-friendly blankets made of biodegradable natural materials. Avoid using blankets made with plastic netting or fixed aperture netting. See: <a href="http://www.coastal.ca.gov/nps/Wildlife-Friendly_Products.pdf">http://www.coastal.ca.gov/nps/Wildlife-Friendly_Products.pdf</a> . <i>For more info see the following factsheets: CASQA: EC-7; or Caltrans: SS-7.</i>
5	Revegetation	Re-vegetate areas of disturbed soil or vegetation as soon as practical. <i>For more info see the following factsheets: CASQA: EC-4; or Caltrans: SS-4.</i>
<b>Sediment Control Best Management Practices</b>		
6	Tracking Controls	Stabilize site entrance to prevent tracking soil offsite. Inspect streets daily and sweep street as needed. Require vehicles and workers to use stabilized entrance. Place crushed rock 12-inches deep over a geotextile, using angular rock between 4 and 6-in. Make the entrance as long as can be accommodated on the site, ideally long enough for 2 revolutions of the maximum tire size (16-20 feet long for most light trucks). Make the entrance wide enough to accommodate the largest vehicle that will access the site, ideally 10 feet wide with sufficient radii for turning in and out of the site. Rumble pads or rumble racks can be used in lieu of or in conjunction with rock entrances. Wheel washes may be needed where space is limited or where the site entrance and sweeping is not effective. <i>For more info see the following factsheets: CASQA: TC-1; TC-3; or Caltrans: TC-1; TC-3.</i>
7	Fiber Rolls	Use fiber rolls as a perimeter control measure, along contours of slopes, and around soil stockpiles. On slopes space rolls 10 to 20 feet apart (using closer spacing on steeper slopes). Install parallel to contour. If more than one roll is used in a row overlap roll do not abut. J-hook end of roll upslope. Install rolls per either Type 1 (stake rolls into shallow trenches) or Type 2 (stake in front and behind roll and lash with rope). Use wildlife-friendly fiber rolls made of biodegradable natural materials. Avoid using fiber rolls made with plastic netting or fixed aperture netting. See: <a href="http://www.coastal.ca.gov/nps/Wildlife-Friendly_Products.pdf">http://www.coastal.ca.gov/nps/Wildlife-Friendly_Products.pdf</a> . Manufactured linear sediment control or compost socks can be used in lieu of fiber rolls. <i>For more info see the following factsheets: CASQA: SE-5 (Type 1); SE-12, SE-13; or Caltrans: SC-5 (Type 1 and Type 2).</i>
8	Silt Fence	Use silt fence as a perimeter control measure, and around soil stockpiles. Install silt fence along contours. Key silt fence into the soil and stake. Do not use silt fence for concentrated water flows. Install fence at least 3 feet back from the slope to allow for sediment storage. Wire backed fence can be used for extra strength. Avoid installing silt fence on slopes because they are hard to maintain. Manufactured linear sediment control can be used in lieu of silt fences. <i>For more info see the following factsheets: CASQA: SE-1; SE-12; or Caltrans: SC-1.</i>
9	Drain Inlet Protection	Use gravel bags, (or similar product) around drain inlets located both onsite and in gutter as a last line of defense. Bags should be made of a woven fabric resistant to photo-degradation filled with 0.5-1-in washed crushed rock. Do not use sand bags or silt fence fabric for drain inlet protection. <i>For more info see the following factsheets: CASQA: SE-10; or Caltrans: SC-10.</i>
N/A	Trench Dewatering	Follow MCSTOPPP BMPs for trench dewatering. <a href="http://www.marincounty.org/depts/pw/divisions/mcstoppp/development/~media/Files/Departments/PW/mcstoppp/development/TrenchingSWReqMCSTOPPPFinal6_09.pdf">http://www.marincounty.org/depts/pw/divisions/mcstoppp/development/~media/Files/Departments/PW/mcstoppp/development/TrenchingSWReqMCSTOPPPFinal6_09.pdf</a> . <i>For more info see the following factsheets: CASQA: NS-2; or Caltrans: NS-2.</i>
<b>Good Housekeeping Best Management Practices</b>		
10	Concrete Washout	Construct a lined concrete washout site away from storm drains, waterbodies, or other drainages. Ideally, place adjacent to stabilized entrance. Clean as needed and remove at end of project. <i>For more info see the following factsheets: CASQA: WM-8; or Caltrans: WM-8.</i>
11	Stockpile Management	Cover all stockpiles and landscape material and berm properly with fiber rolls or sand bags. Keep behind the site perimeter control and away from waterbodies. <i>For more info see the following factsheets: CASQA: WM-3 or Caltrans: WM-3.</i>
12	Hazardous Material Management	Hazardous materials must be kept in closed containers that are covered and within secondary containment; do not place containers directly on soil. <i>For more info see the following factsheets: CASQA: WM-6; or Caltrans: WM-6.</i>
13	Sanitary Waste Management	Place portable toilets near stabilized site entrance, behind the curb and away from gutters, storm drain inlets, and waterbodies. Tie or stake portable toilets to prevent tipping and equip units with overflow pan/tray (most vendors provide these). <i>For more info see the following factsheets: CASQA: WM-9; or Caltrans: WM-9.</i>
14	Equipment and Vehicle Maintenance	Prevent equipment fluid leaks onto ground by placing drip pans or plastic tarps under equipment. Immediately clean up any spills or drips. <i>For more info see the following factsheets: CASQA: NS-8, NS-9, and NS-10; or Caltrans: NS-8, NS-9, and NS-10.</i>
15	Litter and Waste Management	Designate waste collection areas on site. Use watertight dumpsters and trash cans; inspect for leaks. Cover at the end of each work day and when it is raining or windy. Arrange for regular waste collection. Pick up site litter daily. <i>For more info see the following factsheets: CASQA: WM-5; or Caltrans: WM-5.</i>

**Notes:**

1. Mats/blankets should be installed vertically downslope
2. Staple blankets sufficiently to ensure that material will maintain direct contact with soil



Note: Actual layout determined in the field.

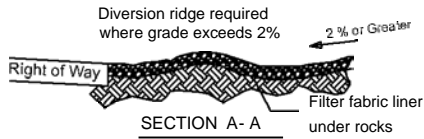


**Notes:**

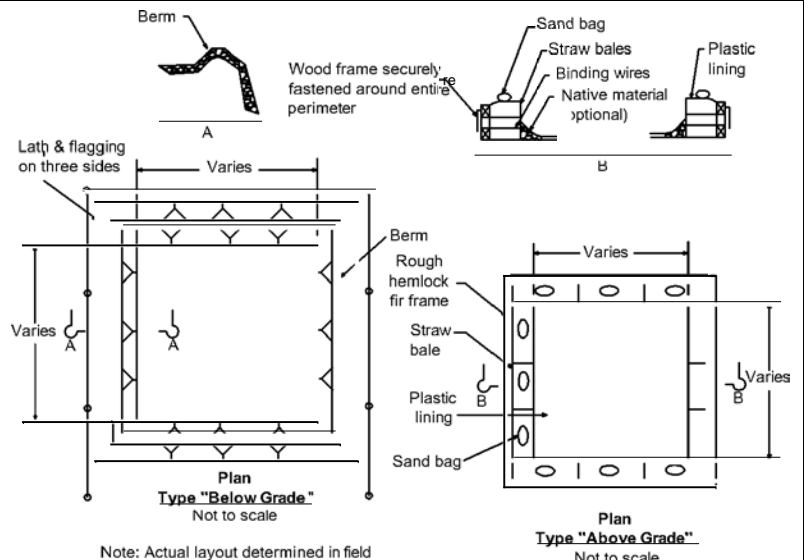
1. Silt fence shall be placed level along slope contours to maximize ponding efficiency with the ends curved uphill to improve ability to retain water.
2. Inspect and repair fence after each storm event and remove sediment when accumulation reaches 1/3 of the barrier height.
3. Removed sediment shall be deposited to an area that will not contribute sediment off-site and can be permanently stabilized

**Silt Fence**

NOT TO SCALE



**Site Entrance**



Note: Actual layout determined in field

**Concrete Washout**



## **LAND SURVEYOR'S CERTIFICATION GUIDELINES FOR BUILDING PERMIT**

Surveys for property line locations are required to protect the property rights of the owner of a property where work is being done as well as the owners of adjacent properties by ensuring that setback requirements are being enforced.

Title 17 of the Paradise Municipal Code sets the minimum property line setbacks to structures, which are verified during the first building inspection, for each of the zoning districts within the Town of Paradise. The Professional Land Surveyors' Act (California Business & Professions Code §§ 8700- 8805) specifies that a professional land surveyor, or California civil engineer authorized to practice land surveying (registered prior to 1982), is the only person licensed and authorized to determine and physically locate your property lines.

The following are the minimum submittal requirements for the Land Surveyor's Certification for Building Permit:

1. A completed Land Surveyor's Certification for Building Permit form to be stamped and signed by a Licensed Land Surveyor or Civil Engineer authorized to practice land surveying in the State of California.
2. An Exhibit plat prepared on an 8 ½ x 11" sheet showing the following:
  - a. The current configuration of the property as described in the current vesting deed, including all bearing and distances along the property lines.
  - b. Date.
  - c. North arrow.
  - d. Scale.
  - e. Assessor's Parcel Number.
  - f. Right(s) of Way and width of right(s) of way for all public and private roadways adjacent to property.
  - g. Location and description of found and set property corners.
  - h. Surveyor's signature and official stamp.



**Town of Paradise**  
Community Development Department  
Building Resiliency Center  
6295 Skyway  
Paradise, CA 95969  
(530) 872-6291 x411

**LAND SURVEYOR’S CERTIFICATION  
FOR BUILDING PERMIT**

Permit Number: \_\_\_\_\_

Site Address: \_\_\_\_\_

Site APN: \_\_\_\_\_

Record Map Reference (if any): Book \_\_\_\_\_ Page \_\_\_\_\_

Lot/Parcel Number as shown on said Map: \_\_\_\_\_

**Surveyor’s Statement**

I hereby state that a field survey was performed by me on the real property described above, or under my direction, in conformance with the requirements of the Professional Land Surveyors’ Act, Business and Professions Code §§ 8700 – 8805.

I also hereby state:

- That the monuments, as shown on the above referenced Record Map, have been found, verified as to their location and exposed for inspection as of the date of this statement, and are shown on the attached Exhibit.

And/or

- That missing property corner monuments have been set, or reset, as shown on the attached Exhibit and the appropriate Corner Record or Record of Survey will be filed with the County of Butte.
  
- That the monuments as described on the above referenced deed have been found, verified as to their location and exposed for inspection as of the date of this statement; are shown on the attached Exhibit; and a Record of Survey will be filed with the County of Butte.

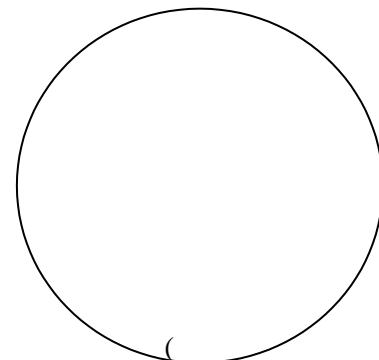
This certification and the attached exhibit are for the sole purpose of the property corner identification of this parcel only and are not intended for public distribution or any use other than building permit clearance for the real property described above.

By: \_\_\_\_\_

Date: \_\_\_\_\_

\_\_\_\_\_  
(print name and license number)

Company Name: \_\_\_\_\_



(seal)

Attachment